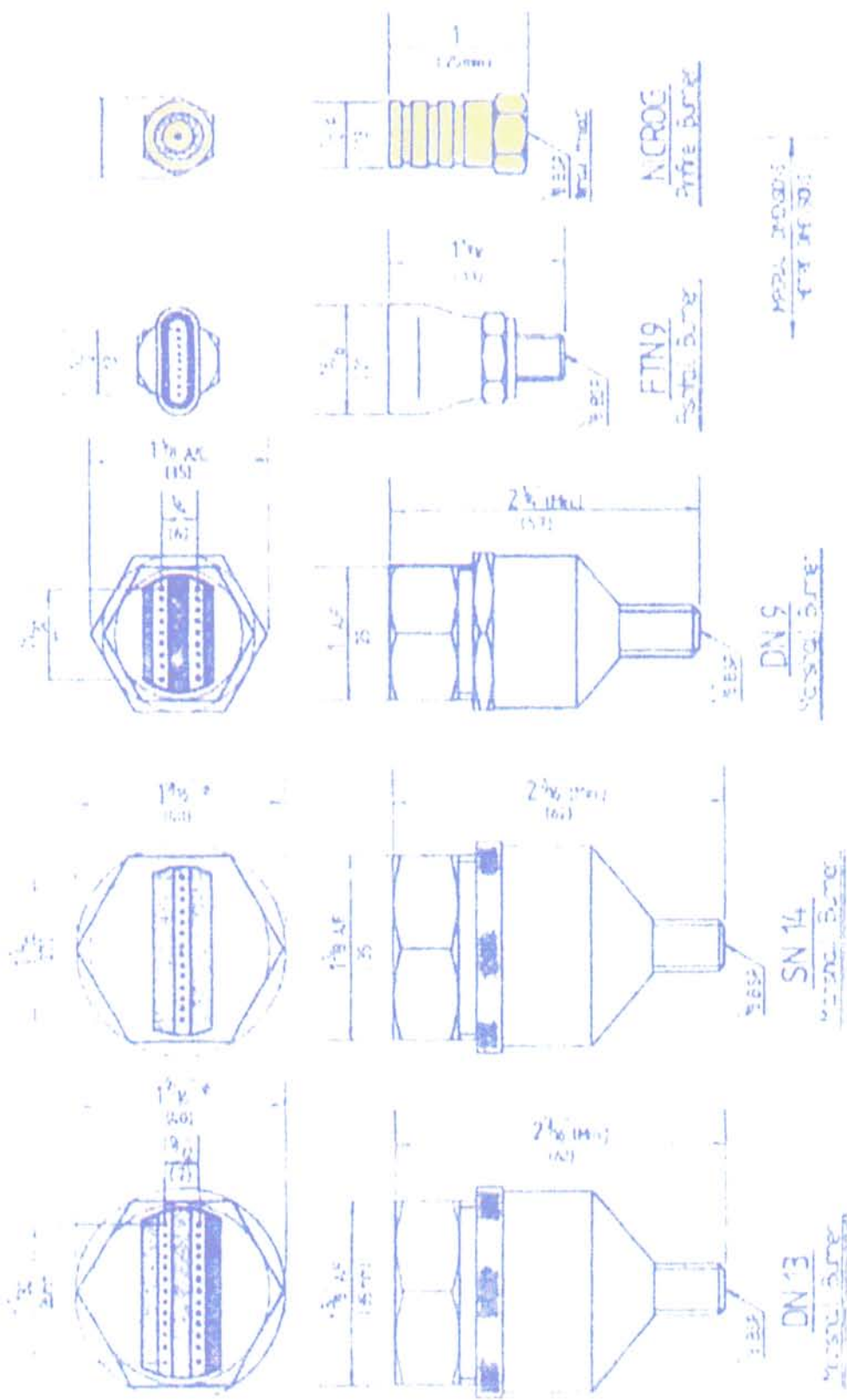
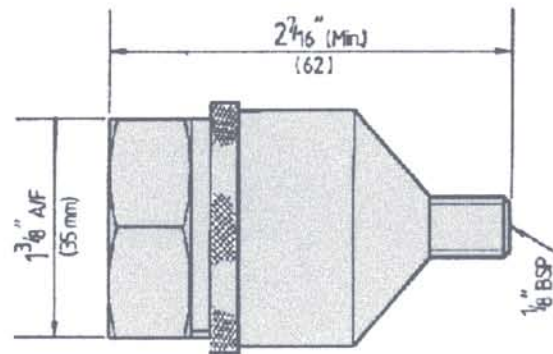
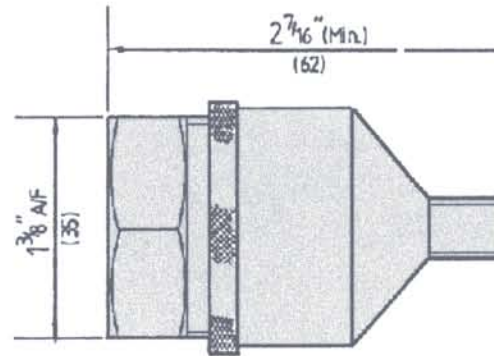
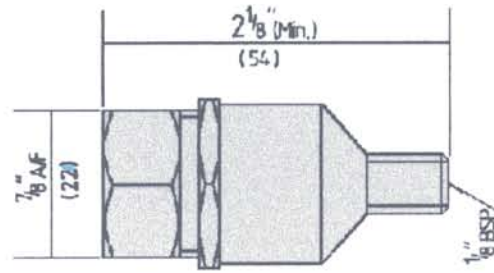
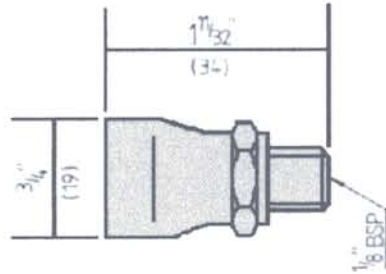
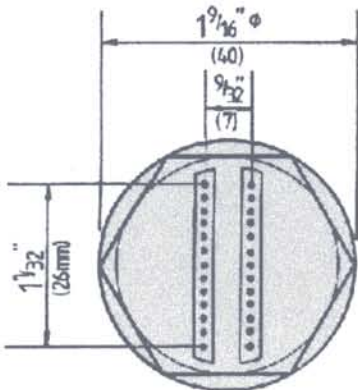
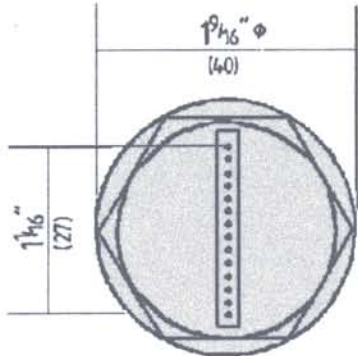
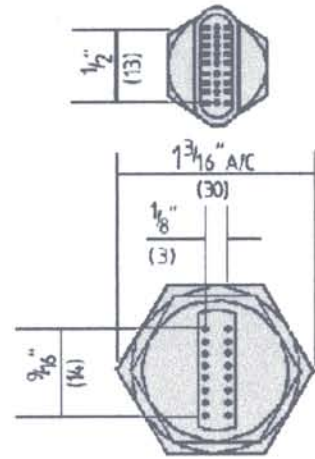


BURNER TYPES  
AIR/NATURAL GAS



## BURNER TYPES AIR/ ACETYLENE



**FT 9**  
Fishtail Burner

**D 8**  
Marshall Burner

**S 14**  
Marshall Burner

**D 13**  
Marshall Burner

IMPERIAL DIMENSIONS  
(METRIC DIMENSIONS)