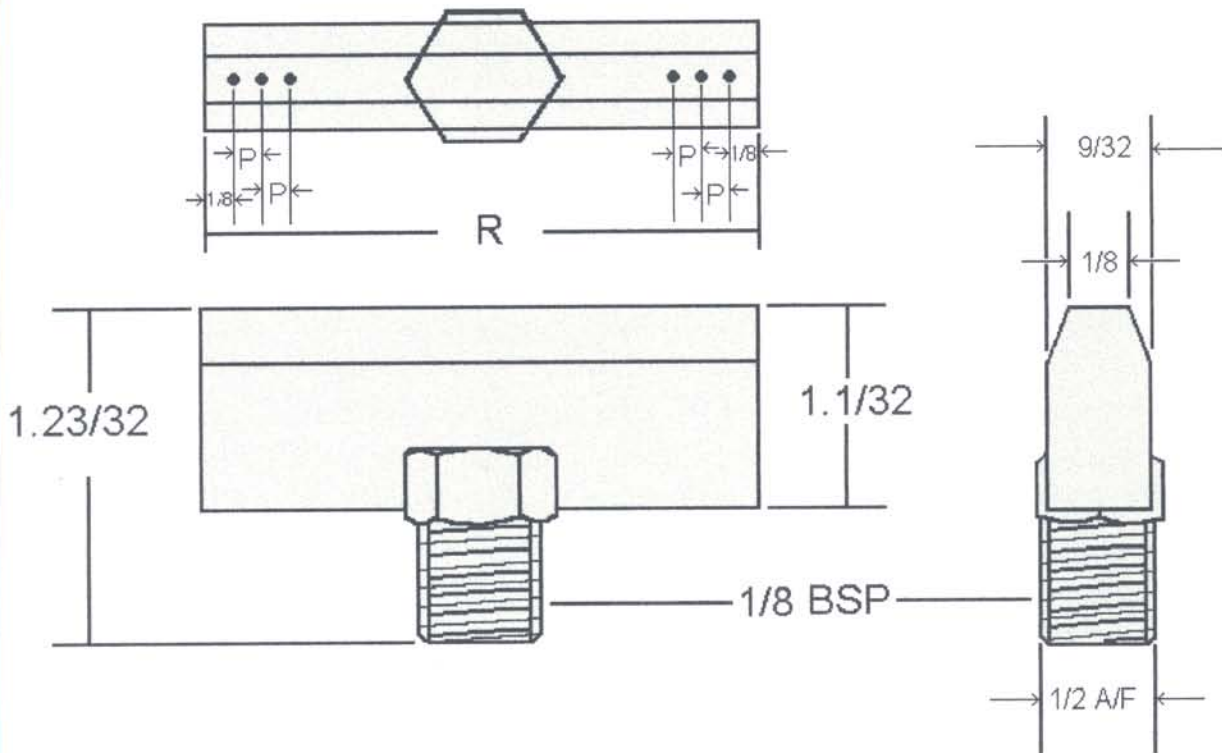


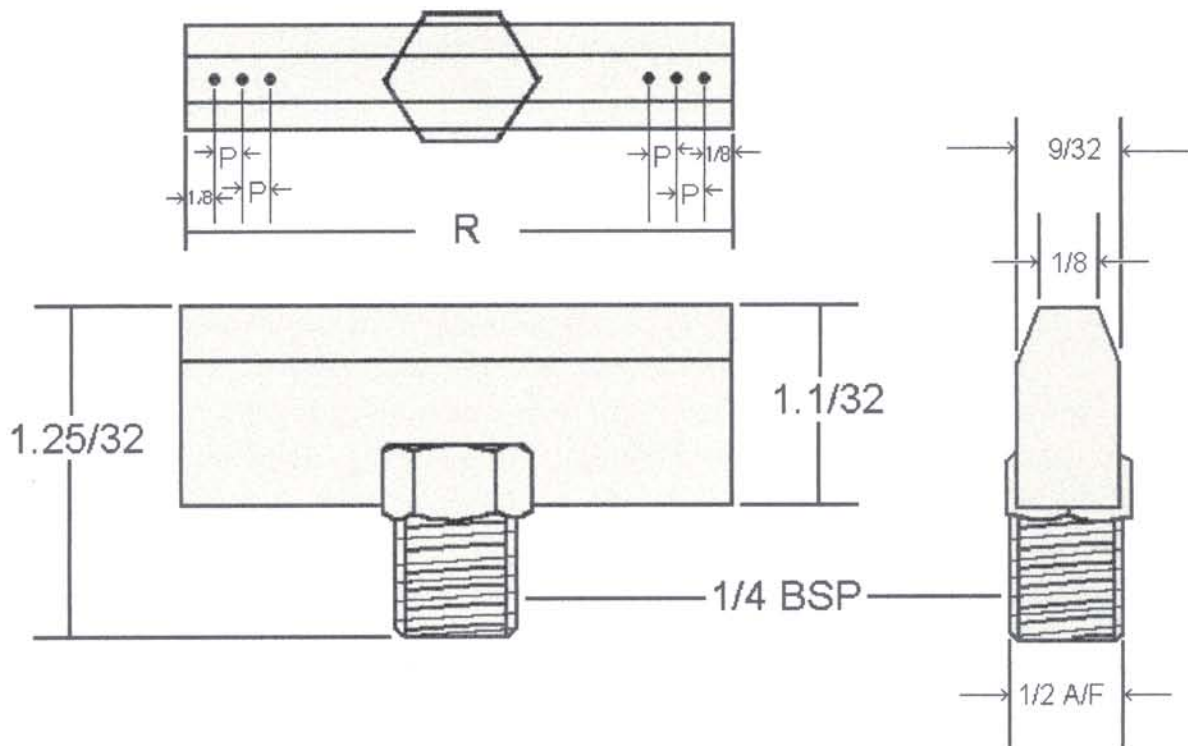


100 Series Crack Off Burners - Gas/Oxygen



Burner Name	No Of Holes	P Pitch	(R) Length	Stock Number
CBO 100/3	3	1/8	1/2	09/02/009
CBO 100/5	5	1/16	1/2	09/02/013
CBO 100/6	6	1/8	7/8	09/02/007
CBO 100/11	11	1/16	7/8	09/02/004
CBO 100/17	17	1/16	1.1/4	09/02/005
CBO 100/21	21	1/16	1.9/16	09/02/012
CBO 100/23	23	1/8	3.0	09/02/006
CBO 100/25	25	1/8	3.1/4	09/02/026

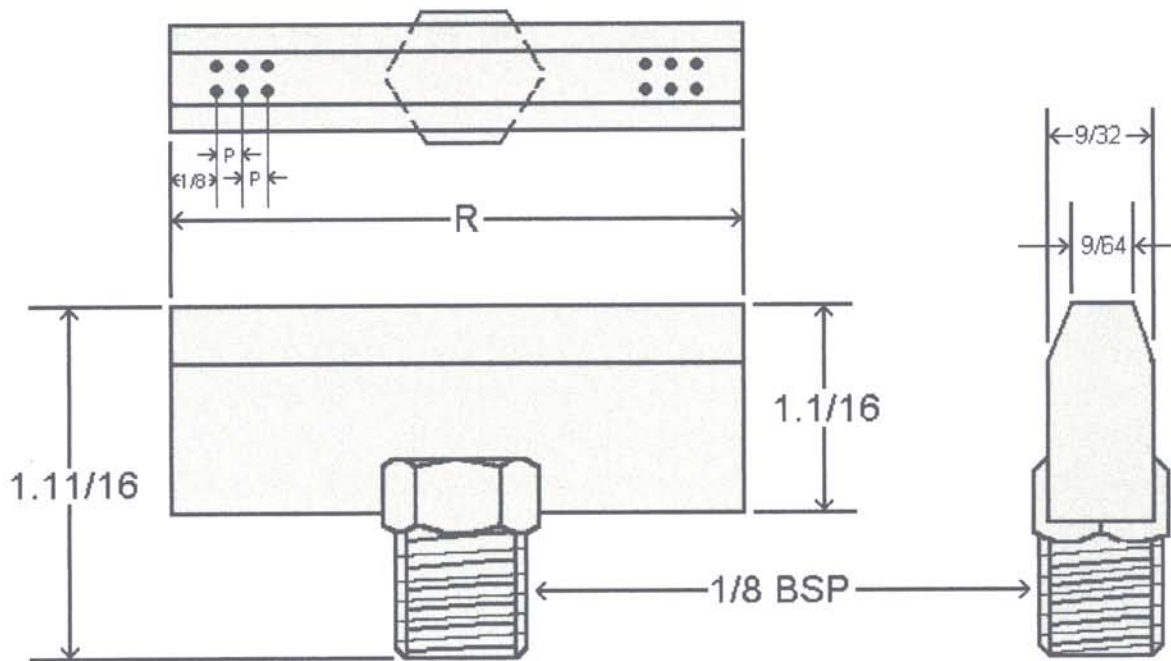
200 Series Crack Off Burners - Gas/Oxygen



Burner Name	No Of Holes	P Pitch	(R) Length	Stock Number
CBO 200/26	26	1/16	1.13/16	09/02/029
CBO 200/27	27	1/16	1.7/8	09/02/016
CBO 200/36	36	1/16	2.7/16	09/02/035
CBO 200/39	39	1/16	2.5/8	09/02/037
CBO 200/57	57	1/16	3.3/4	09/02/036
CBO 200/14	14	1/8	1.7/8	09/02/017
CBO 200/21	21	1/8	2.3/4	09/02/028
CBO 200/29	29	1/8	3.3/4	09/02/040



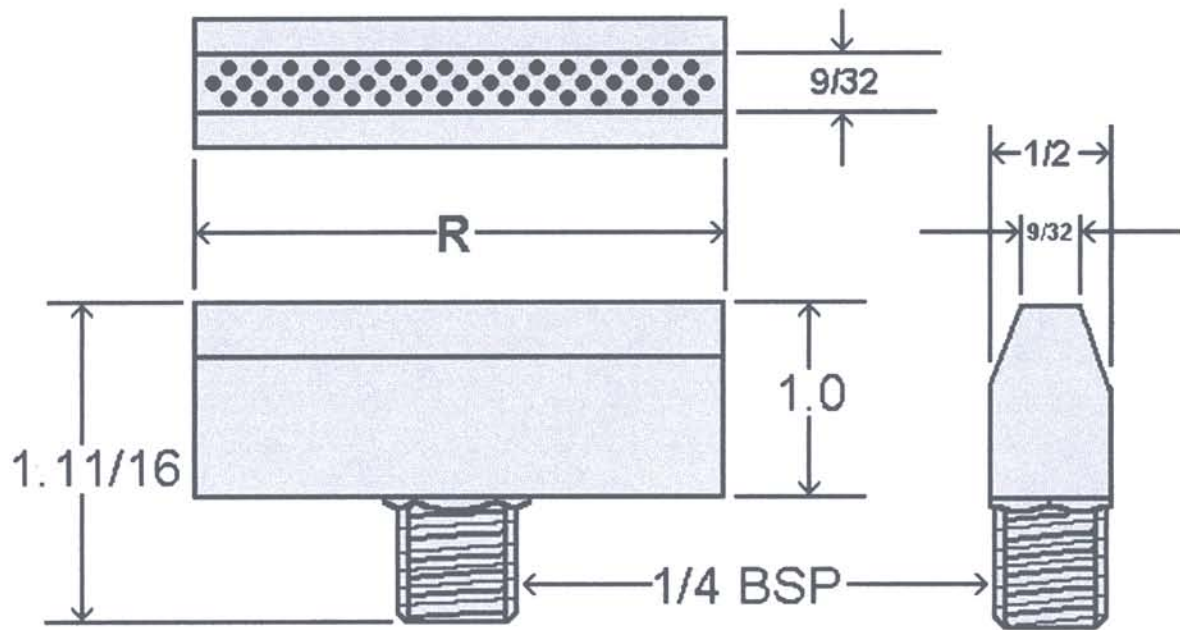
200 Series Crack Off Burner - Gas/Oxygen (Double Row)



Burner Name	No Of Holes	P Pitch	(R) Length	Stock Number
CBO 200/51/70/DR	2 x 51	1/16	3.3/8	09/02/038



250 Series Crack Off Burner – Gas/Oxygen (Triple Row)



Burner Name	No Of Holes	(R) Length	Stock Number
CBO/250/7/TR	3 x 7	3/8	09/03/002
CBO/250/9/TR	3 x 9	7/8	09/03/005
CBO/250/13/TR	3 x 13	3/4	09/03/008
CBO/250/19/TR	3 x 19	1.1/8	09/03/009
CBO/250/20/TR	3 x 20	1.9/16	09/03/007
CBO/250/25/TR	3 x 25	1.1/2	09/03/010
CBO/250/31/TR	3 x 31	1.7/8	09/03/011
CBO/250/37/TR	3 x 37	2.1/4	09/03/012
CBO/250/41/TR	3 x 41	2.7/8	09/03/003
CBO/250/43/TR	3 x 43	2.5/8	09/03/013
CBO/250/49/TR	3 x 49	3.0	09/03/014
CBO/250/55/TR	3 x 55	3.3/8	09/03/015
CBO/250/56/TR	3 x 56	3.3/16	09/03/001
CBO/250/61/TR	3 x 61	3.3/4	09/03/016
CBO/250/67/TR	3 x 67	4.1/8	09/03/017