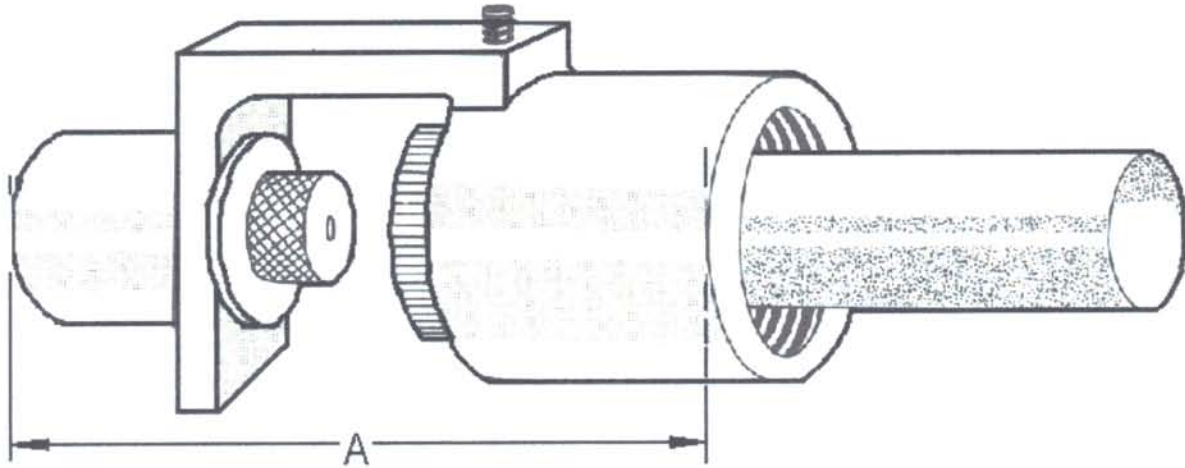


## Atmospheric Injectors



### **J series injector**

Used for ribbon burners, it is manufactured in mild steel, with a brass diffuser.

It is designed to operate on coal gas, natural gas (methane), propane, butane or any mixture of these gases can be used.

Size BSP		Length A	Capacity	
Injector	Inlet		Btu/hr	Kcal/hr
3/4"	3/8"	84	30,000	7,560
1"	3/8"	96	43,000	10,835
1 1/4"	3/4"	110	61,000	15,000
1 1/2"	3/4"	115	111,000	28,000
2"	3/4"	125	141,000	35,560

